



CALL TODAY
1800 178 622
www.cantaport.com.au

cantaport

7 years warranty

*** \$2990.00**
PLUS GST

KHGO
series

5100 x 2700

Silver (SLC) standard colour
Urban Gray (UC) special order



MADE IN JAPAN



GUARANTEED & TESTED

Genuine & Original
BEWARE OF CHEAP IMITATIONS



* Price is GST exclusive. Delivery, Engineering & Certification starts from \$580.00+gst. Metal spigots (sleeves) available for ordering at an extra cost. Delivery is subject to 40km radius of the CBD. Engineering and Certification subject to council requirements per state / city. Further costs may apply. Site plan to be provided by customer. Car not included. Enquiry / ORDERS to: info@cantaport.com.au

cantaport



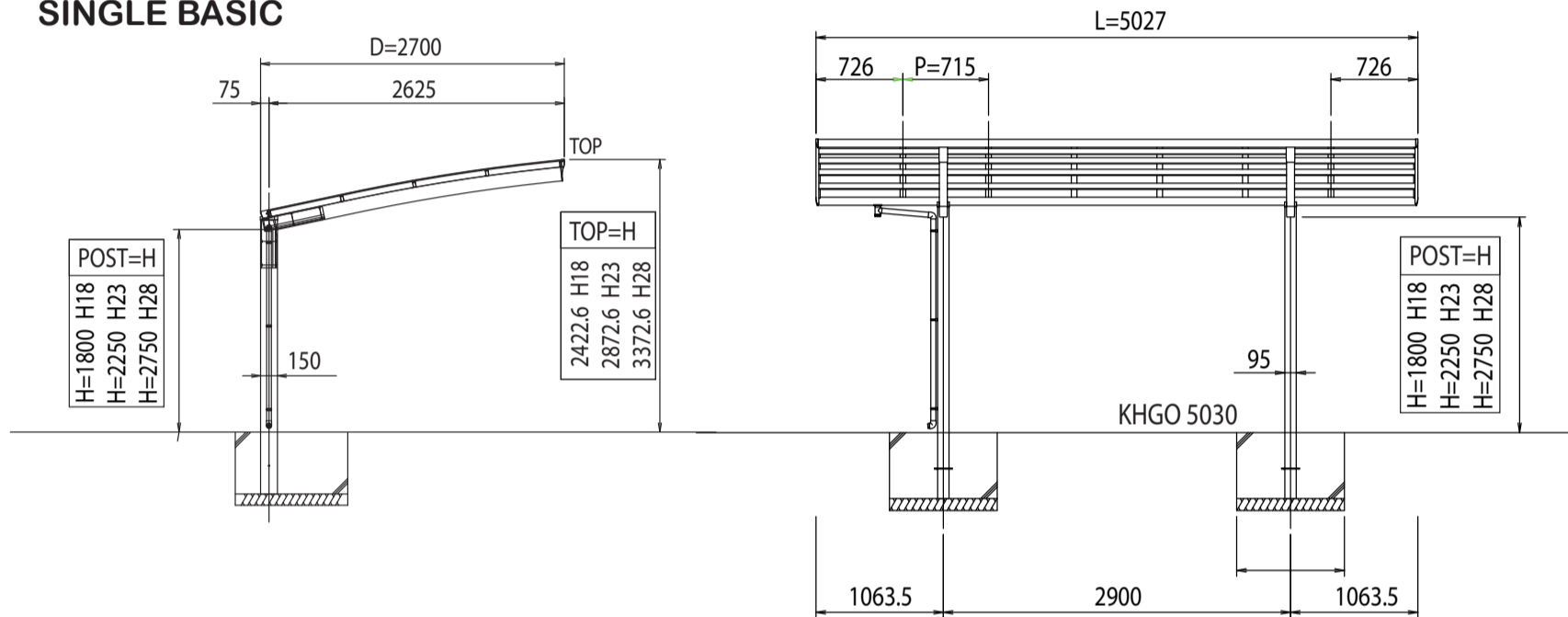
SINGLE BASIC

KHGO series

MADE IN JAPAN



SINGLE BASIC



CANTAPORT SHADING SYSTEMS KCR(PJR) SERIES

(Wind Region A, Terrain Category 2,3 & 4)

NOTE:

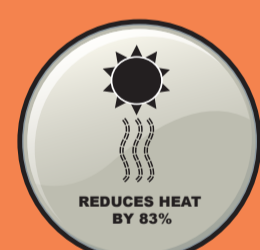
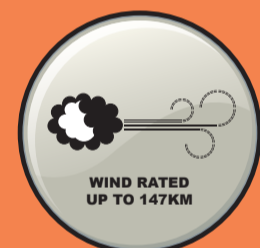
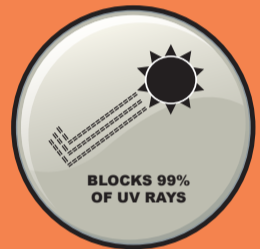
- IT IS RESPONSIBILITY OF BUILDER TO NOTIFY THE OWNER THAT NO LIVE POINT LOADING IS ALLOWED ON PURLIN.
- COLUMNS ARE NOT DESIGNED FOR VEHICLE IMPACT LOAD.

1. DESIGN CRITERIA

- WIND REGION A. TERRAIN CATEGORY 2, 3 OR 4. IMPORTANCE LEVEL 1 Vr = 38m/s
- CLASS A, S, M OR H SITES TO AS2870. MINIMUM ALLOWABLE SOIL BEARING CAPACITY 100 kPa. THIS DETAIL IS ONLY RELEVANT FOR PROJECTS WHICH MATCH THE ENGINEERING ARRANGEMENTS. IT IS THE BUILDER'S RESPONSIBILITY TO ENSURE THAT ANY / ALL MANUFACTURER SPECIFIC REQUIREMENTS ARE MET. REFER TO THE MANUFACTURER'S INSTALLATION MANUAL AND SPECIFICATIONS AT WWW.CANTAPORT.COM.AU FOR IMPORTANT INFORMATION.

2. CONCRETE

- CONCRETE MINIMUM 20MPa, POURED INSITU. REFER TO THE ENGINEERING DETAILS FOR SIZE OF CONCRETE FOOTING.



GUARANTEED & TESTED

Genuine & Original
BEWARE OF CHEAP IMITATIONS

